



THE STUDCO UPDATE

NEWS & UPDATES FROM STUDCO BUILDING SYSTEMS

MAY/JUN/JUL '10

NOW AVAILABLE

DESIGN & ENGINEERING MANUAL

STUDCO BUILDING SYSTEMS has a full engineering design consultancy team that is there to support you with all of your project needs. All the products produced by **STUDCO BUILDING SYSTEMS** are fully engineered. All Engineering information can be found in **STUDCO'S Engineering and Technical Manual**. ■

Easy to read tables and technical drawings

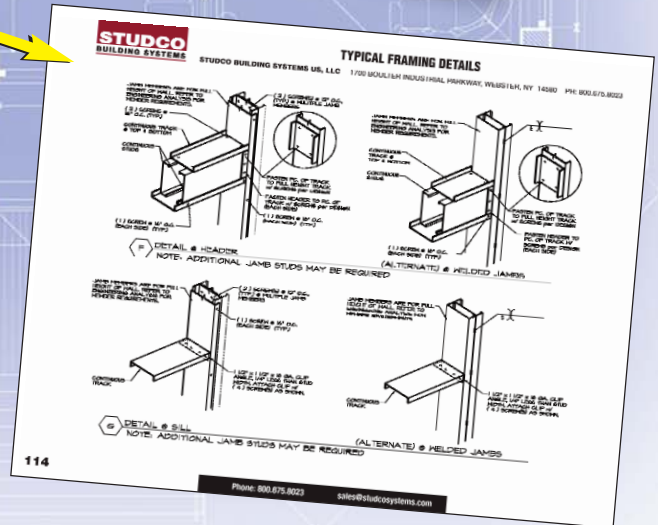


NEW

STRUCTURAL STEEL 2 1/2" FLANGE - SECTION PROPERTIES

Section	Depth (in)	Area (sq in)	Height (in)	Flange (in)	Web (in)	Wt (lb/ft)	I _x (in ⁴)	I _y (in ⁴)	S _x (in ³)	S _y (in ³)	r _x (in)	r _y (in)	J (in ²)	C _x (in)	C _y (in)
A242	8.000	19.10	8.000	4.000	0.400	51.8	130	130	100	100	4.00	4.00	0.00	0.00	0.00
A242	8.000	19.10	8.000	4.000	0.400	51.8	130	130	100	100	4.00	4.00	0.00	0.00	0.00
A242	8.000	19.10	8.000	4.000	0.400	51.8	130	130	100	100	4.00	4.00	0.00	0.00	0.00
A242	8.000	19.10	8.000	4.000	0.400	51.8	130	130	100	100	4.00	4.00	0.00	0.00	0.00
A242	8.000	19.10	8.000	4.000	0.400	51.8	130	130	100	100	4.00	4.00	0.00	0.00	0.00

23



FIRE RATED STUD PRODUCTS

**STUDCO Studs
are now fully
fire rated to
ASTM E 119**

STUDCO BUILDING SYSTEMS has recently tested its stud products for performance in a fire rated assembly. The assembly was tested in accordance with applicable requirements of ASTM E119-09c, Standard test methods for fire tests of Building Construction and Materials, December 2009 edition.

STUDCO'S stud products excelled in this assembly because of the quality and consistency on our product. ■



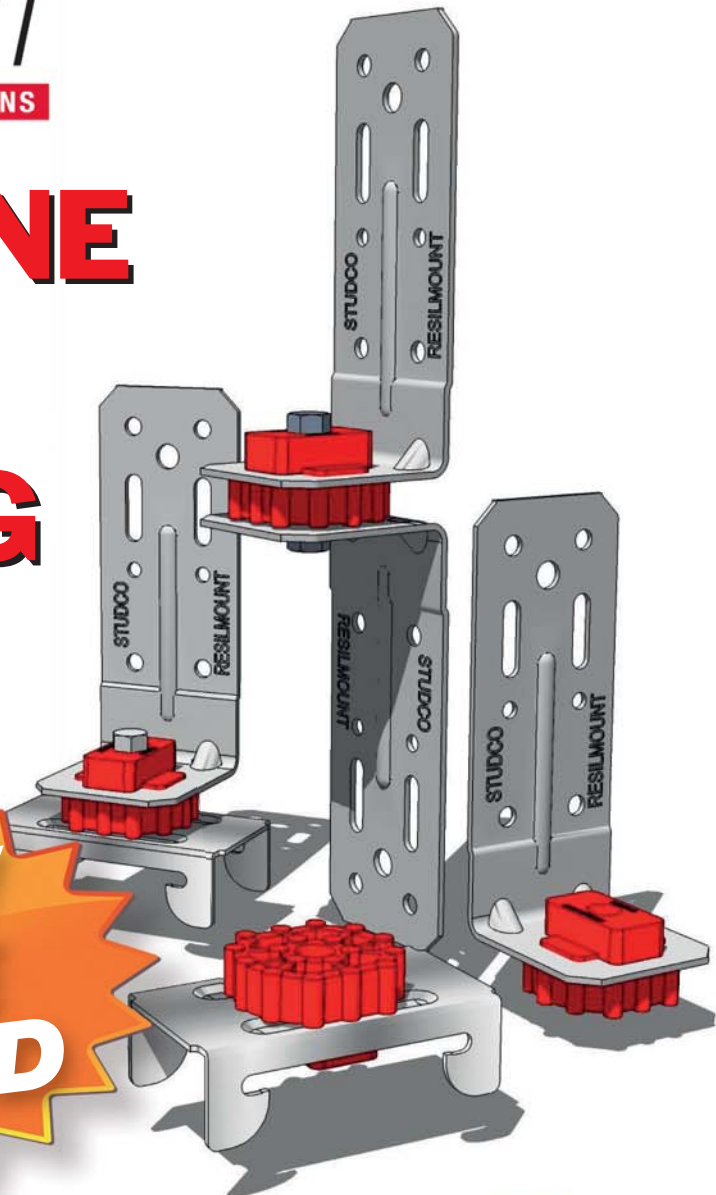
**For more information request your full copy of this report today.
Send your requests to sales@studcosystems.com or **585-265-9475**.**



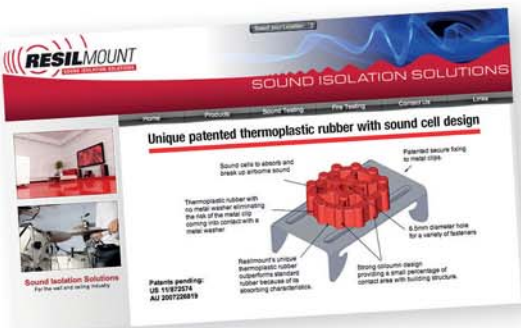
PRODUCT LINE JUST KEEPS ON GROWING

The popular **Resilmount** range of sound isolation brackets and mounts welcomes several new brackets to the product line. In response to the strong demand from architects, engineers and builders for quality products offering real results.

Where noise and vibration transfer pose serious problems, rely on **Resilmount** for superior acoustical performance and ease of installation. ■



Check out the new Resilmount website at www.resilmount.com



Technical data sheets, specifications, dimensions, applications...
It's all there to help solve your sound isolation problems.

HEDA JAMB™
ROUGH OPENING SOLUTIONS

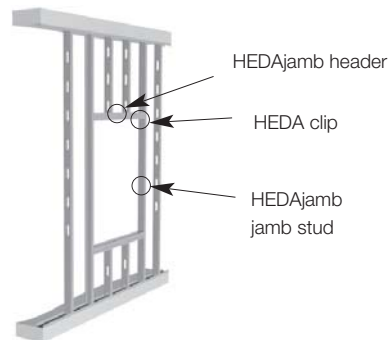


The innovative way to build Rough Openings

Hedajamb rough opening solutions is the answer to all the needs on structural light gauge framing projects. With Hedajamb's Fully engineered system available in 3" and 3 1/2" Flange from 18 Gauge to 12 Gauge, or interior framing around non-load bearing openings.

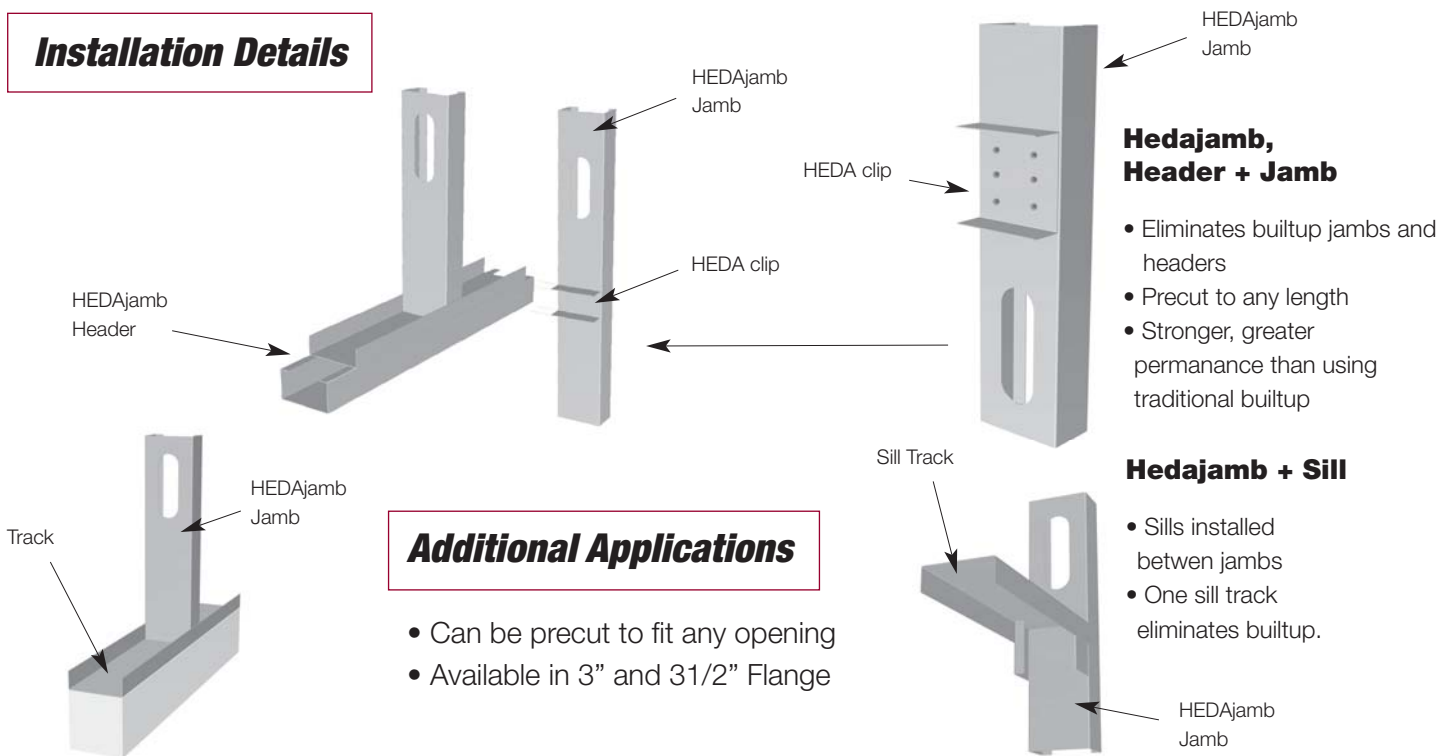
Heda Jamb Advantages

1. Eliminates built-up jambs & headers
2. Less materials
3. Stronger Assembly than using traditional builtup
4. Quicker Installation & handling
5. The Studco Quality Guarantee



Studco Building Systems Hedajamb is a fully engineered Header and jamb system that helps owners and contractors reduce costs while maintaining the structural integrity of the project.

Installation Details



Additional Applications

- Can be precut to fit any opening
- Available in 3" and 3 1/2" Flange